



Key Features

- Twelve individually addressable relays.
- Relays capable of switching up to 28VDC@5A.
- Discrete set of IR codes and an IR input allows relays to be triggered from virtually any IR programmable system.
- Control port for connection to RTI Control Processors.
- Relays can be used in a normally open or normally closed configuration.
- Relays create a “dry contact” or a 12VDC connection is supplied if a voltage trigger is required.
- Programmable momentary relay hold times.
- Adjustable device ID for installations that require more than twelve relays.
- Sturdy steel construction.
- 12VDC power supply included.

RCM-12 Relay Control Module

The RCM-12 Relay Control Module provides twelve addressable relays for controlling everything from amplifiers to window coverings. Adjustable device IDs allow easy expandability for larger projects. With both an IR input and a control port, each relay can be triggered from RTI in-wall or handheld controllers, control processors or even third-party infrared repeater systems. Each relay can be used in a normally open or normally closed configuration and 12VDC is supplied if voltage triggers are needed.

Description

With twelve individually addressable relays and an adjustable device ID, the RCM-12 Relay Control Module is flexible and expandable enough to provide relay control for projects of any size. Each relay has a removable terminal block with connections for either a normally open or normally closed configuration. Using the supplied 12VDC output, it is also possible to use any relay as a voltage trigger.

An IR input and an RS-485 port allow the RCM-12 to be triggered from many different sources, including RTI in-wall or handheld controllers, control processors or third-party infrared repeater systems. IR commands trigger open and close functions as well as adjustable hold times for momentary relay operation.

Call 952-253-3100

www.rticorp.com



It's Under Control®

Specifications

Power Supply +12V DC, 1.25A

Infrared Input Compatible with industry-standard repeaters and receivers

Relays Twelve, 28 VDC@5A

Control Port RS-485/IR/Pwr

Device IDs Eight, Rotary switch

Mounting Wall-mount or free standing

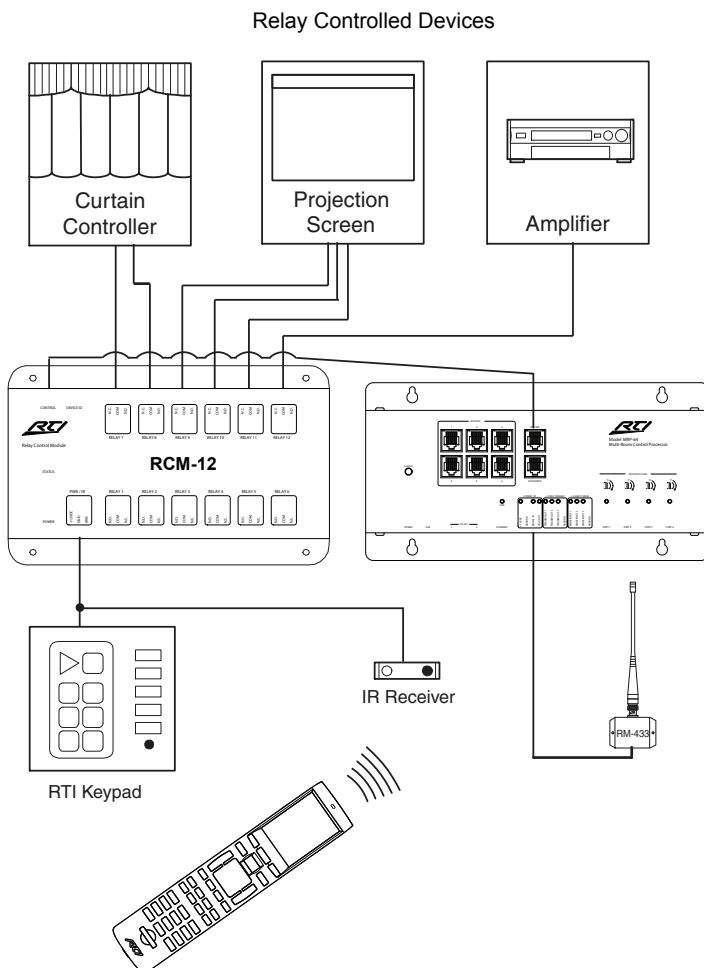
Dimensions (W x H x D) 8.25" (209mm) x 1.3" (33mm) x 5.2" (132mm)

Weight 2 lb. (907g)

Warranty One Year (Parts & Labor)

All specifications subject to change without notice

Installation Diagram



Processors / Accessories

- RP-1 Remote Control Processor
- RP-6 Remote Control Processor
- MRP-64 Multi-Room Control Processor
- XP-8 Advanced Control Processor
- CB-4 Touchpanel Connecting Block
- ECB-5 IR Emitter Connecting Block



Other RTI Products

- T1 Universal System Controller
- M2 Universal System Controller
- T2+ Universal System Controller
- T2-Cs Universal System Controller
- T2-C Universal System Controller
- T3 Universal System Controller
- T3-V Universal System Controller
- T4 Universal System Controller
- U1 Waterproof Controller
- U2 Waterproof Controller
- RKM-1 In-Wall Multi-Room Audio Keypad
- RK1 In-Wall Keypad Controller
- RK2 In-Wall Touchscreen Controller
- RK3 In-Wall Touchscreen Controller
- K4 In-Wall Touchscreen Controller
- IR-PRO Infrared Capture System



TheaterTouch Designer™ Programming Software