

# FS-4000 Flat Screen Speaker System

## 3 high-performance speakers in one for today's flat screen technologies



The decorative side panels are finished in a choice of automotive-grade Metallic Silver or a rich-looking Satin Black paint.



Home Theater could be the most enjoyable, significant development in at-home entertainment to come along in a generation. Being able to literally "go to the movies" in one's own living room has completely transformed the experience of watching television.

Great sound is an integral, essential component to the theater experience at home. The downside for most people comes from having to mount and wire speakers all over their room. It's inconvenient, confusing, and unsightly.

Enter Atlantic's innovative FS-4000 Front Stage Loudspeaker. This sleek, 40"-long unit contains all three front speakers—left, center, and right—in a single enclosure. It's perfect for the growing number of customers who just want a simple, attractive, one-piece speaker

solution under their flat-screen television, without all the visual clutter of separate left, center, and right speakers surrounding their stylish, thin TV. The cabinet is internally separated into three chambers, each with a 1" tweeter, a 4½" magnetically-shielded woofer and a 4½" Bass Pressure Driver. Bass response extends down to 75Hz, for full-bodied sound even without a subwoofer.

All three speakers in the FS-4000 have two rear-panel controls—a 3-position HF Energy switch and a 2-position Boundary Compensation switch—to optimize the speakers' performance regardless of room acoustics or placement. These controls allow the FS-4000 to always sound its best.

The FS-4000 uses the same drivers and crossover technology as our highly-acclaimed 2200 and FS-3200 systems, so there is absolutely no compromise in

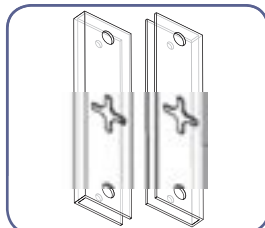
sound quality or tonal accuracy by having the three front channels in a single enclosure. With the FS-4000, it's now possible to enjoy the legendary Atlantic sound from speakers that blend right into the room.

# FS-4000 Flat Screen Speaker System

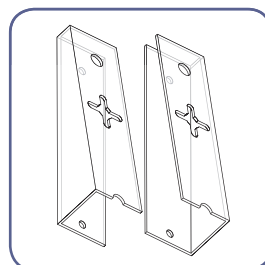


## Mounting Options

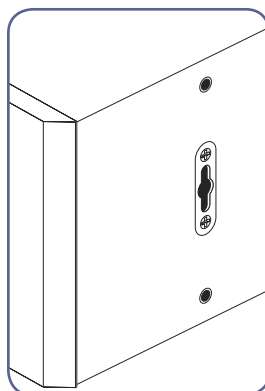
Four mounting options, included with speakers:



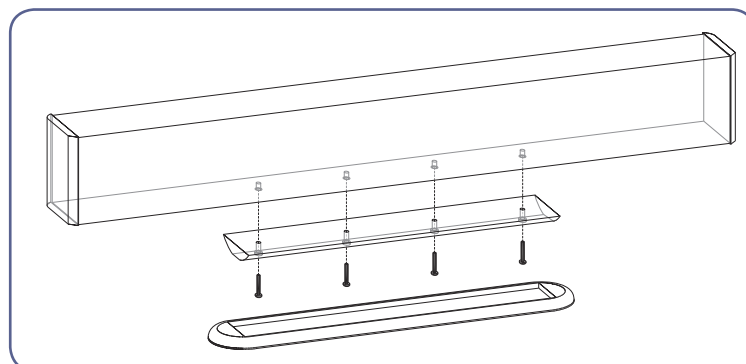
1. "Straight Ahead" wall bracket holds the speaker ½" off the wall pointing straight ahead.



2. "Angled" wall bracket—angles the speaker up or down, depending on whether it's mounted above or below the video display.



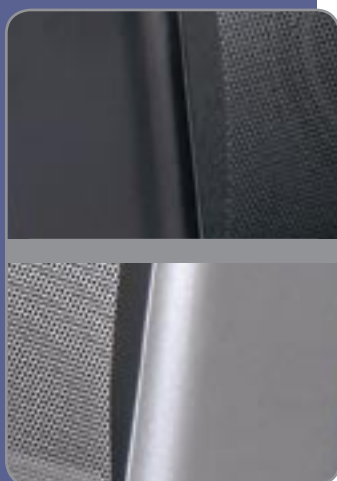
3. Keyhole mount (on the rear of the speaker), for simple flush wall mounting.



4. Using Atlantic's exclusive center channel rocker base, the FS-4000 can be used as a freestanding speaker on a TV or on a shelf in addition to wall mounting.



Notice that the FS-4000's tweeters are offset above the centerline of the woofers. This is a perfect example of the way that Atlantic pays close attention to acoustic details. By moving the tweeters up, we significantly reduce the audibly-intrusive interference patterns that result from woofers and tweeters being mounted side-by-side.



The decorative side panels are finished in a choice of automotive-grade metallic silver or a rich-looking Satin Black paint.

## Specifications

FS-4000	
<b>Type</b>	2-way with Bass Pressure Drivers
<b>Drivers</b>	<b>Woofer</b> (3) 4½" (115mm) GLH <sup>§</sup>
	(3) 4½" (115mm) Bass Pressure Drivers
	<b>Tweeter</b> (3) 1" (25mm) soft dome
<b>Frequency Response</b>	75Hz - 20kHz ±3dB
<b>Nominal Impedance</b>	8 Ohms
<b>Crossover Frequency</b>	3.75kHz, 3rd order
<b>Sensitivity</b>	89dB
<b>Recommended Power</b>	10 - 125 Watts RMS per channel
<b>Magnetic Shielding</b>	Yes
<b>Dimensions w/grille</b>	40 x 6.5 x 5"*
(W x H x D)	1021 x 165 x 127mm
<b>Weight</b>	27lbs; 12.3kg

<sup>§</sup>Graphite Loaded Homopolymer

\*Height without base. Add 1" height for base.



©2005 Atlantic Technology • 343 Vanderbilt Ave.

Norwood, MA 02062 • 781.762.6300

[www.atlanticttechnology.com](http://www.atlanticttechnology.com)