



Tip #1 The in-ceiling "e" difference

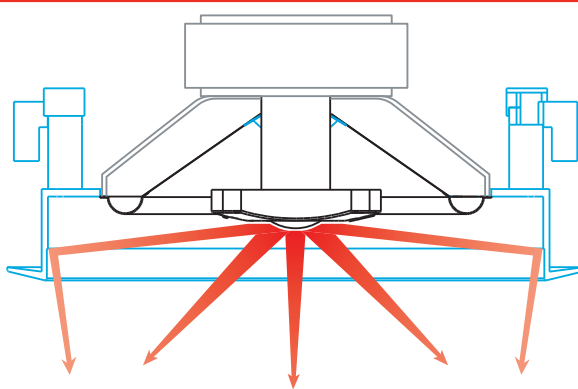
What's the difference between the new Atlantic Technology ICTS .2/.3 "e" versions and the non-"e" versions? There are **two main differences**, one of which is both a performance improvement and a cosmetic upgrade, one of which is cosmetic only.

First, the Anti-Diffraction Trim Ring: On both the .3 and .2 models, we've added a circular Anti-Diffraction Trim Ring outside of the woofer. This takes up the space between the outer edge of the woofer and the white plastic speaker frame, essentially "smoothing the way" for the sound--especially the high frequencies--to get cleanly away from the speaker past the frame.

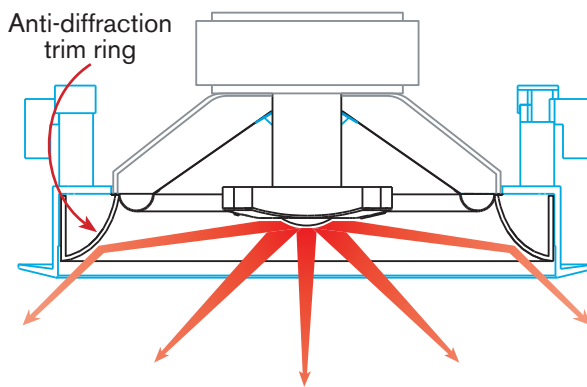
The ring also gives the speaker a much more sophisticated look, but the improvement in high-frequency sound transmission is its main benefit. The sound no longer "diffracts" (bounces sharply off) the straight up-and-down white inner surface of the frame.

Second, On the 6.3 and 8.3, in addition to the A-D Trim Ring, the dual-tweeter island has been restyled into the classic Atlantic "bowtie" look, so the .3e's now share the same classy family look of all the Atlantic tweeters.

Non "e" without diffraction ring



"e" with diffraction ring



The Difference of "e"



Non "e" – Original 8.3



"e" – New 8.3e with trim ring and bow-tie tweeter

Other Tech Tips:

- Tip 2: Box speaker feature comparison
- Tip 3: In-wall speaker feature comparison
- Tip 4: Box speaker room size chart
- Tip 5: In-wall speaker room size chart